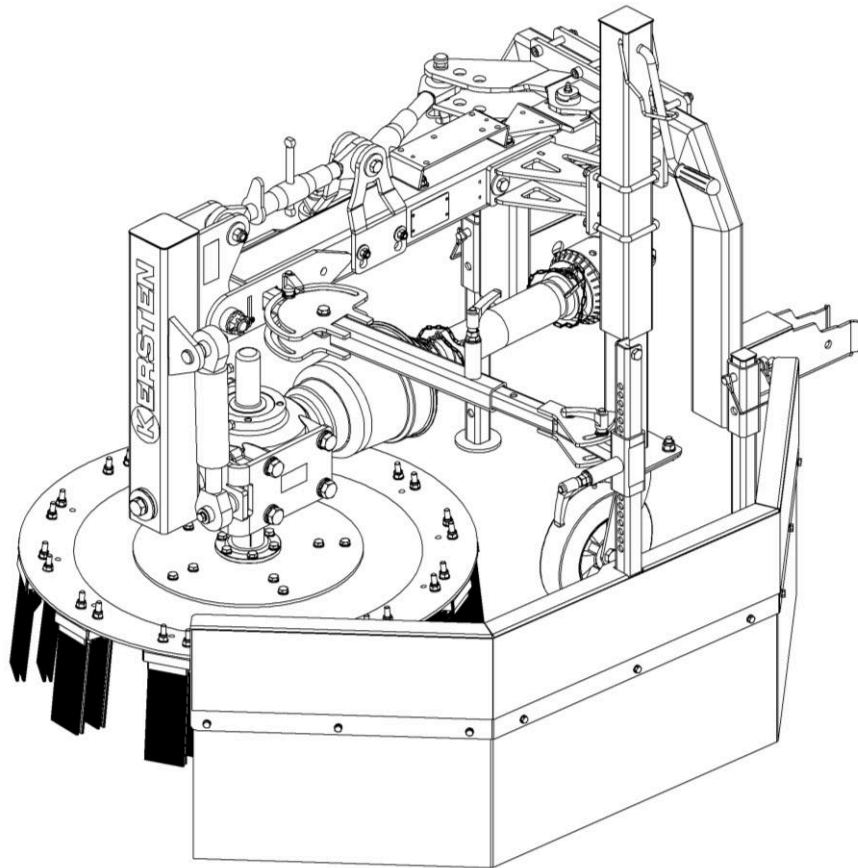




Spare Parts List

Weed Brush

UB 6080 MK-ABR



Order number: E00136

from machine number: 65930

Rev.: R01

as of September 2020

Kersten
SITE MAINTENANCE EQUIPMENT

Telephone: 0118 9869 253

Email: office@kerstenuk.com

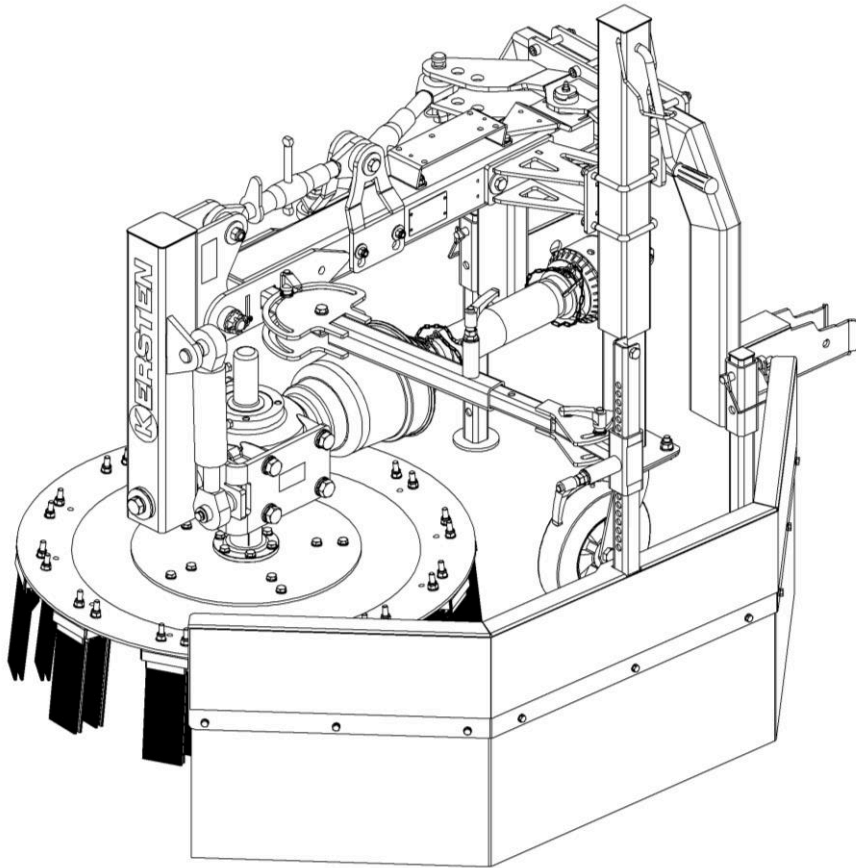
Progress House, 39 Boulton Road, Reading, Berkshire, RG2 0NH, United Kingdom

<https://kerstenuk.com/>

Table of contents

1	Model overview	4
1.1	UB 6080 MK-ABR with 170mm gearbox – C11504 R00	4
1.2	UB 6080 MK-ABR with 190mm gearbox – C11494 R00	4
2	Assembly overview	5
2.1	Assembly - UB 6080 MK-ABR – C11481 R00	5
2.2	Short middle section (BT Ø800) - C11492 R00	7
2.3	Front arm with 170mm gear - C06362 R01	8
2.4	Front arm with 190mm gearbox - C06225 R01	9
2.5	Splash guard - C06542 R00	10
3	Accessories / Options	11
3.1	Attachment frame for area mower - C11480 R00	11
3.2	Mounting frame / coupling triangle – C10737 R00	12
3.3	Brush plate Ø80cm - BT 080 FL - C02563 R01	13
3.4	Brush plate Ø80cm - BT 080 DS-KU - C06296 R00	14
3.5	Control unit ST-UB- C11325 R00	15
3.6	Control unit ST-UB-JS with joystick operation - C11901 R00	16
3.7	Weed brush set complete with joystick ST-UB-JS - C11899 R00.	17
3.8	Control unit ST-UB-RC with radio remote control – C06775 R00	18
3.9	Hydraulic swivel device HSZ- 60 UB – C06928 R00	19
3.10	Hydraulic swivel device HSZ- 100 UB – C11506 R00....	20
3.11	Hydraulic diagram UB 6080 MK - ABR - C11497 R00	21
3.12	Edge cutter - C10736 R00	23
3.13	Adjustable throttle - C11758 R00	25

1 model overview



1.1 UB 6080 MK-ABR with 170mm gearbox - C11504 R00

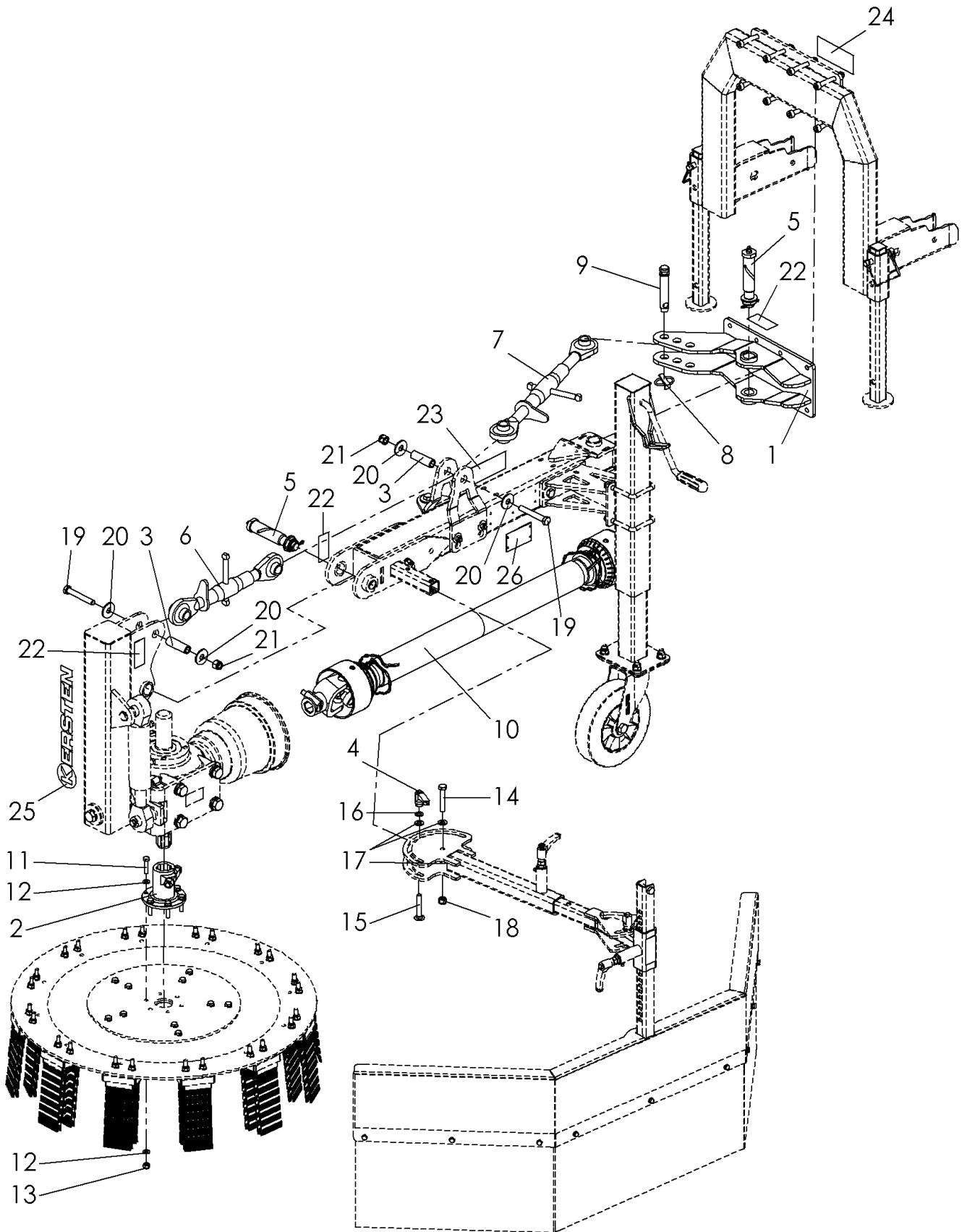
No.	Art.-No.	No.	designation
1	C11481 R00	1	Assembly - Weed Brush
2	C11492 R00	1	middle part BTØ800
3	C06362 R01	1	front arm with 170 gearbox
4	C06542 R00	1	splash guard

1.2 UB 6080 MK-ABR with 190mm gearbox - C11494 R00

No.	Art.-No.	No.	designation
1	C11481 R00	1	Assembly - Weed Brush
2	C11492 R00	1	middle part BTØ800
3	C06225 R01	1	front arm with 190 gearbox
4	C06542 R00	1	splash guard

2 Assembly overview

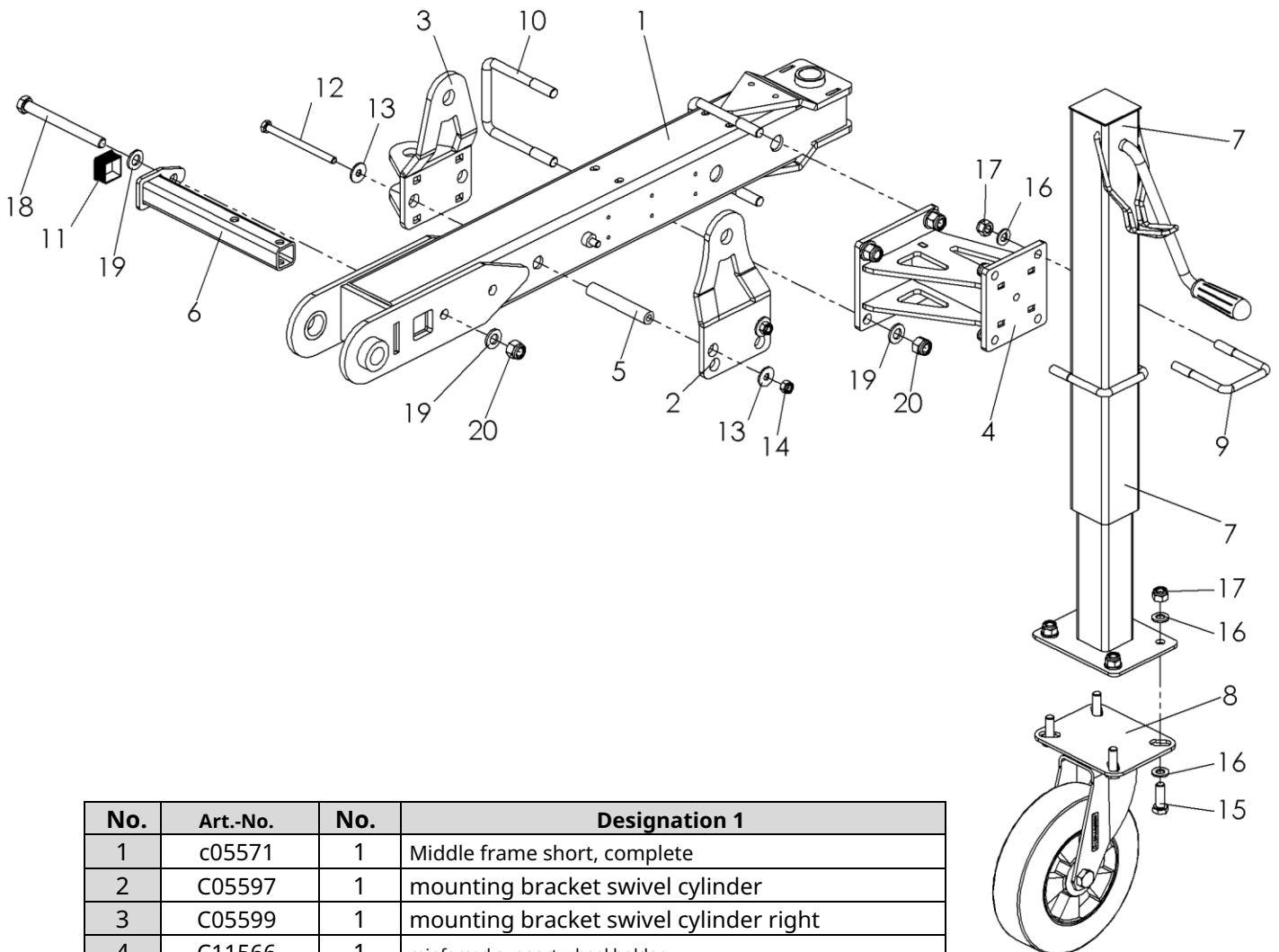
2.1 Assembly - UB 6080 MK-ABR - C11481 R00



Assembly - UB6080 MK - C11481 R00

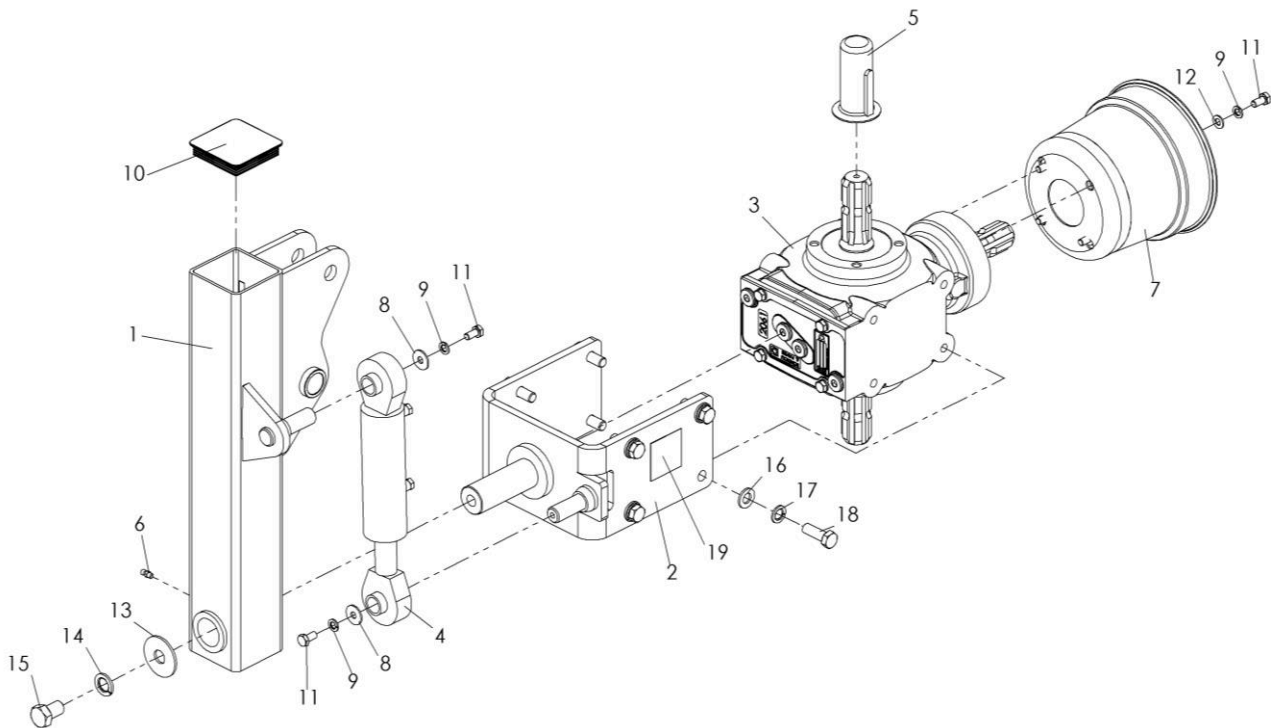
No.	Art.-No.	No.	Designation 1
1	C05973	1	anchor plate complete
2	927 335 006	1	mounting flange
3	C06261	3	socket
4	941 200 210	1	clamping lever
5	903 220 015	2	spring bolt
6	950 101 060	1	top link
7	950 200 100	1	top link 200-M24 Cat.1
8	907,111,000	1	linch pin
9	907 400 073	1	socket pin
10	923 000 028	1	cardan shaft
11	901 008 035	6	hexagon screw without shaft
12	905,108,000	12	U-disk
13	900 008 002	6	lock nut
14	901 110 060	1	hexagon screw with shaft
15	901 910 060	1	carriage bolt
16	905,010,000	1	spring ring
17	905,110,000	3	U-disk
18	900 010 002	1	lock nut
19	901 012 080	3	hexagon screw without shaft
20	905 212 001	6	K-disk
21	900 012 002	3	lock nut
22	999,049,000	5	sticker lubrication point
23	950 900 090	1	safety stickers
24	950 900 091	1	sign max.1600 rpm
25	950 900 100	1	Kersten stickers
26	950 900 070	1	type plate - Kersten

2.2 Middle part short (BT Ø800) - C11492 R00



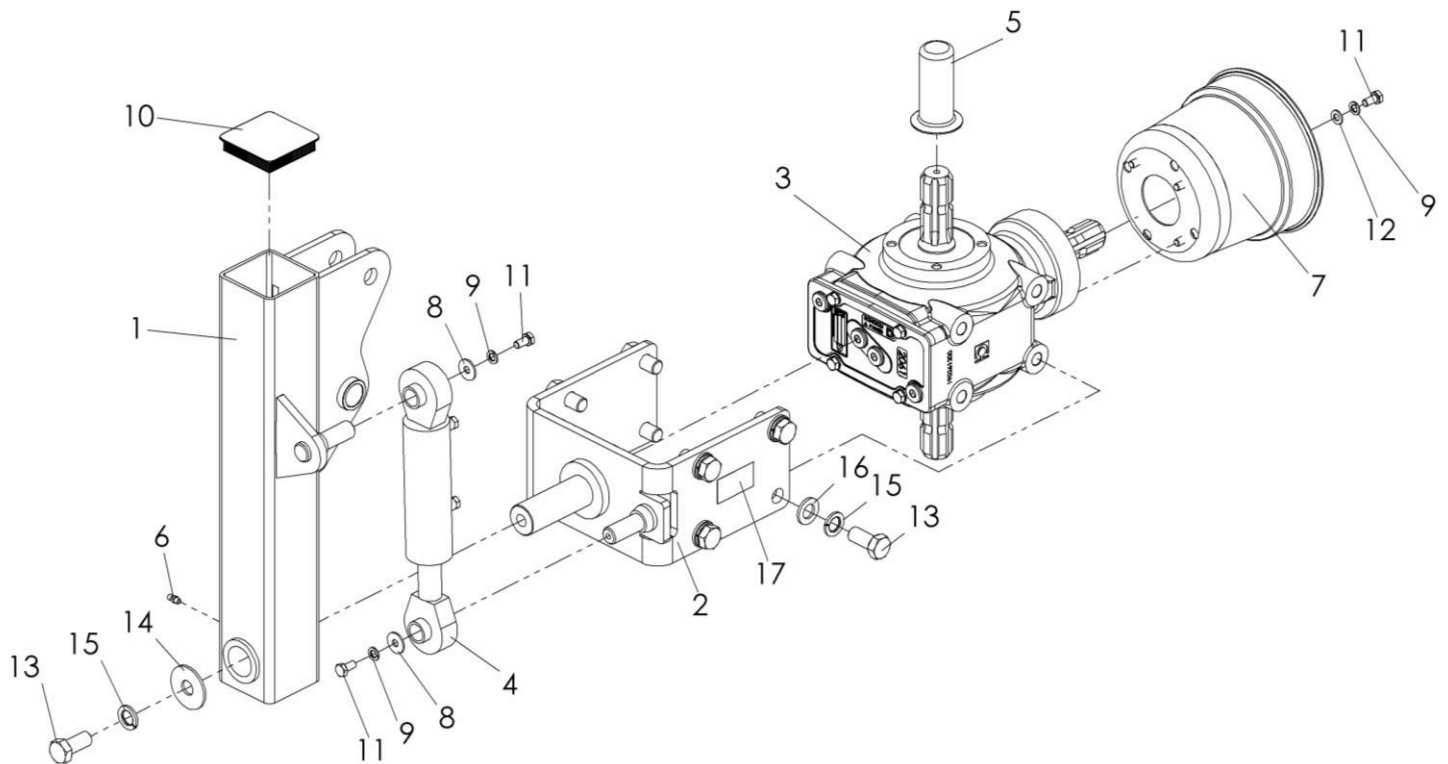
No.	Art.-No.	No.	Designation 1
1	c05571	1	Middle frame short, complete
2	C05597	1	mounting bracket swivel cylinder
3	C05599	1	mounting bracket swivel cylinder right
4	C11566	1	reinforced support wheel holder
5	C05608	2	spacer tube
6	C05606	1	splash guard holder
7	942 001 002	1	support leg
8	926 304 200	1	roller Ø200
9	901 510 260	2	U-bolt
10	901 512 380	2	U-bolt
11	943 130 302	1	protective cap
12	901 108 110	2	hexagon screw with shaft
13	905 208 025	4	K-disk
14	900 008 002	2	lock nut
15	901 010 030	4	hexagon screw without shaft
16	905,110,000	12	U-disk
17	900 010 002	8	lock nut
18	901 112 125	1	hexagon screw with shaft
19	905,112,000	6	U-disk
20	900 012 002	5	lock nut

2.3 front arm with 170mm gearbox - C06362 R01



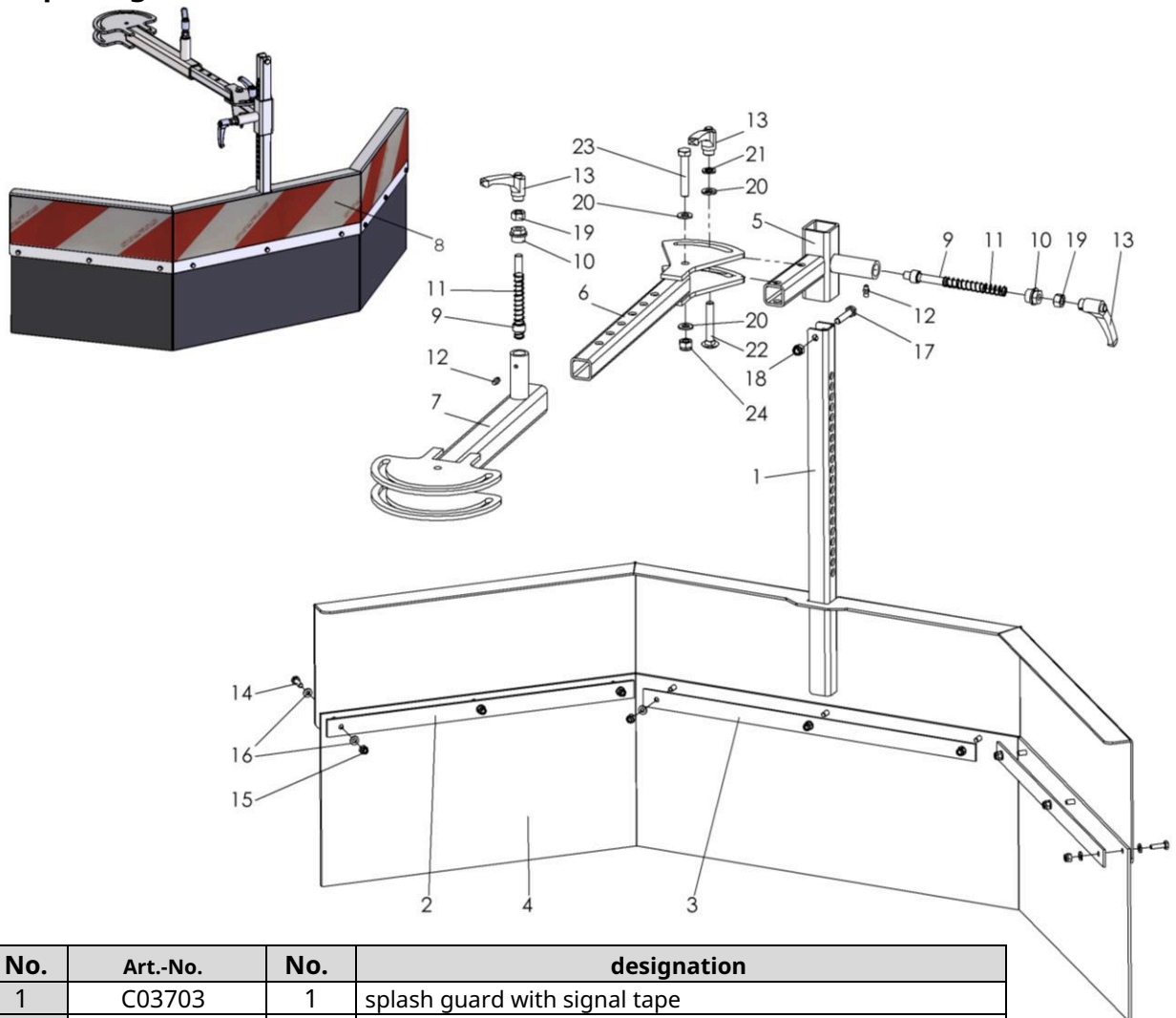
No.	Art.-No.	No.	designation
1	C05603	1	front frame for UB
2	C05551	1	gearbox mount
3	922,202,000	1	transmission
4	933 102 060	1	cylinder
5	943 400 035	1	cover cap
6	910,006,000	1	grease nipple
7	923 003 002	1	protective pot
8	905 208 025	2	K-disk
9	905 008 000	6	spring ring
10	943 180 803	1	protective cap 80x80x3
11	901 008 016	6	hexagon screw without shaft
12	905,108,000	4	U-disk
13	905,217,000	1	K-disk
14	905,016,000	1	spring ring
15	901 016 025	1	hexagon screw without shaft
16	905,112,000	8	U-disk
17	905,012,000	8	spring ring
18	901 012 035	8	hexagon screw without shaft
19	950 900 200	1	RPM sticker for 170 gearbox

2.4 front arm with 190mm gearbox - C06225 R01



No.	Art.-No.	No.	Designation 1
1	C05603	1	front frame for UB
2	C10263	1	gearbox mount 190
3	922 202 191	1	gearbox 190 mm
4	933 102 060	1	hydraulic cylinders
5	943 400 035	1	yellow cover cap
6	910,006,000	1	grease nipple
7	923 003 002	1	protective pot
8	905 208 025	2	K-disk
9	905 008 000	6	spring ring
10	943 180 803	1	protective cap
11	901 008 016	6	hexagon screw without shaft
12	905,108,000	4	U-disk
13	901 016 035	9	hexagon screw without shaft
14	905,216,000	1	K-disk
15	905,016,000	9	spring ring
16	905,116,000	8	U-disk
17	950 900 201	1	RPM sticker for 190 gearbox

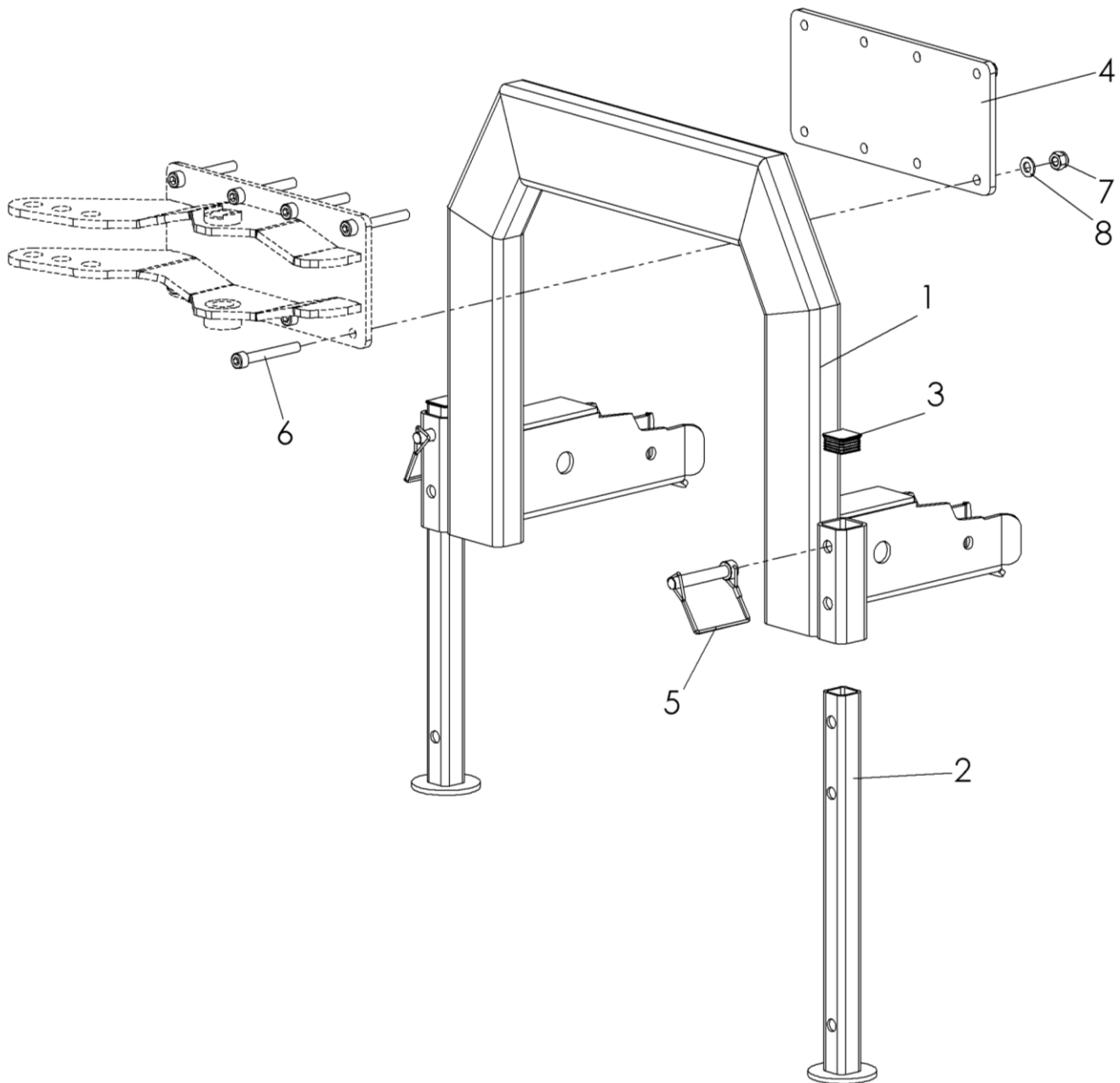
2.5 Splash guard - C06542 R00



No.	Art.-No.	No.	designation
1	C03703	1	splash guard with signal tape
2	C03811	2	mounting strip 440
3	C03812	1	mounting strip 500
4	C03813	1	rubber splash flaps
5	C03706	1	Guide tube for splash guard compl.
6	C06523	1	swivel arm part 1
7	C06524	1	swivel arm part 2
8	C03816	1	safety stickers
9	C03707	2	locking pin with clamping function
10	C03708	2	threaded plug
11	909 100 189	2	compression spring
12	910,006,000	2	grease nipple
13	941 200 210	3	clamping lever
14	901 006 020	9	hexagon screw without shaft
15	900 006 002	9	lock nut
16	905,106,000	18	U-disk
17	901 008 040	1	hexagon screw with shaft
18	900 008 002	1	lock nut
19	900 010 001	2	Skt.-Mutter
20	905,110,000	3	U-disk
21	905,010,000	1	spring ring
22	901 910 060	1	carriage bolt
23	901 110 060	1	hexagon screw with shaft
24	900 010 002	1	lock nut

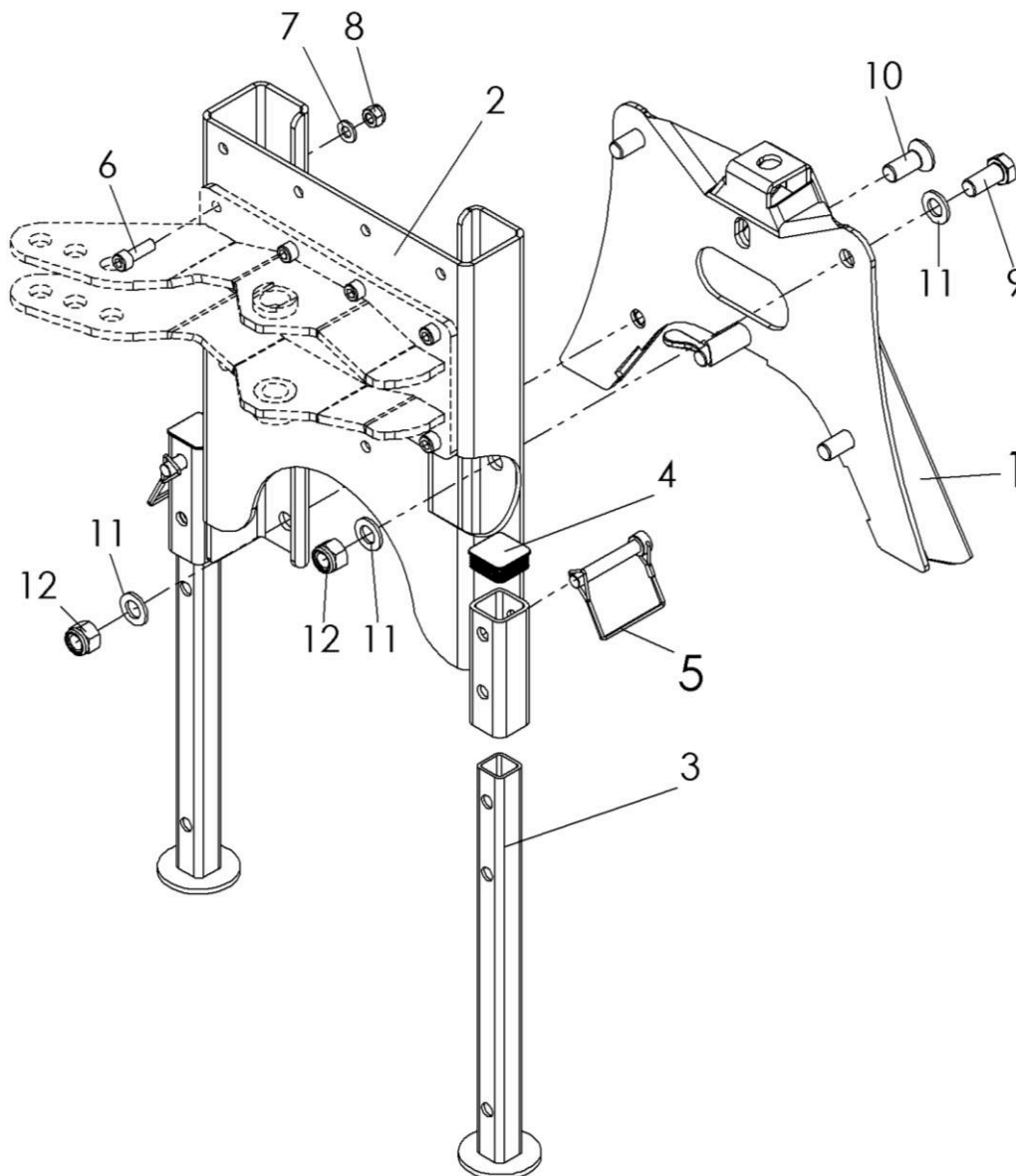
3 Accessories / Options

3.1 Attachment frame area mower - C11480 R00



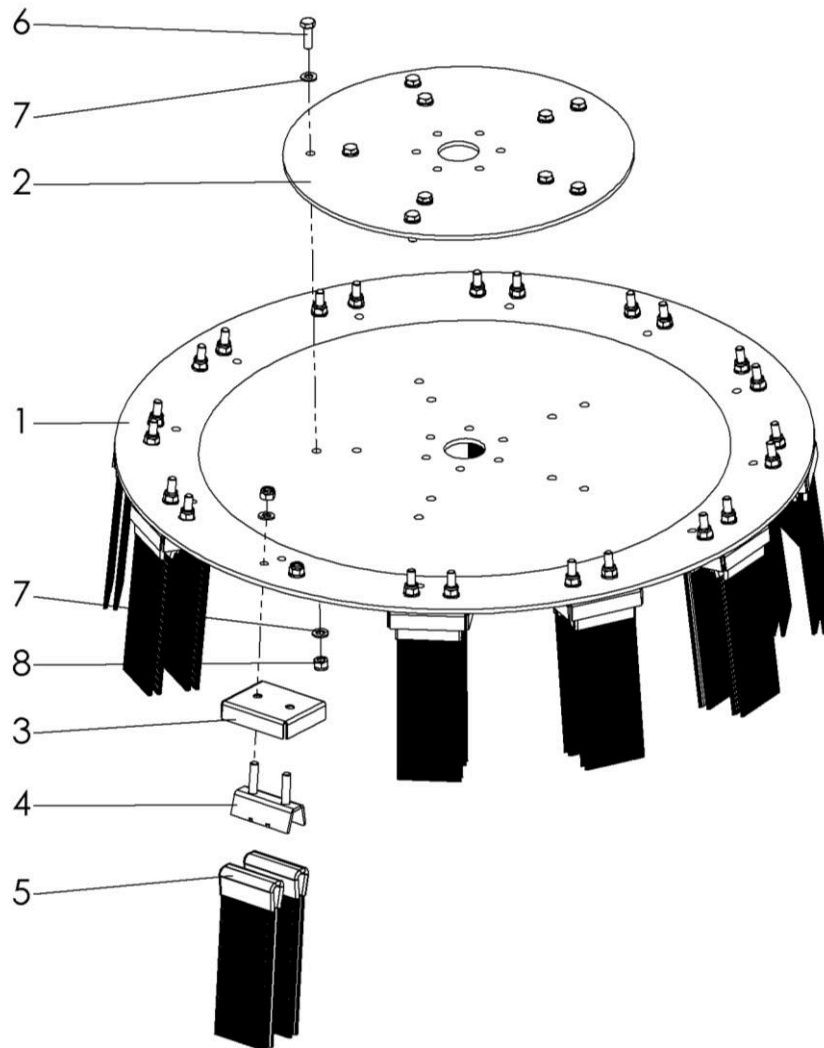
No.	Art.-No.	No.	Designation 1
1	tractor-dependent	1	mounting frame, complete
2	750 000 016	2	parking support complete
3	943 130 303	2	protective cap
4	C05974	1	mounting plate
5	907 400 012	2	pipe linchpin
6	901 810 075	8	Socket head cap screw without shaft
7	900 010 002	8	lock nut
8	905,110,000	8	U-disk

3.2 Mounting frame / coupling triangle - C10737 R00



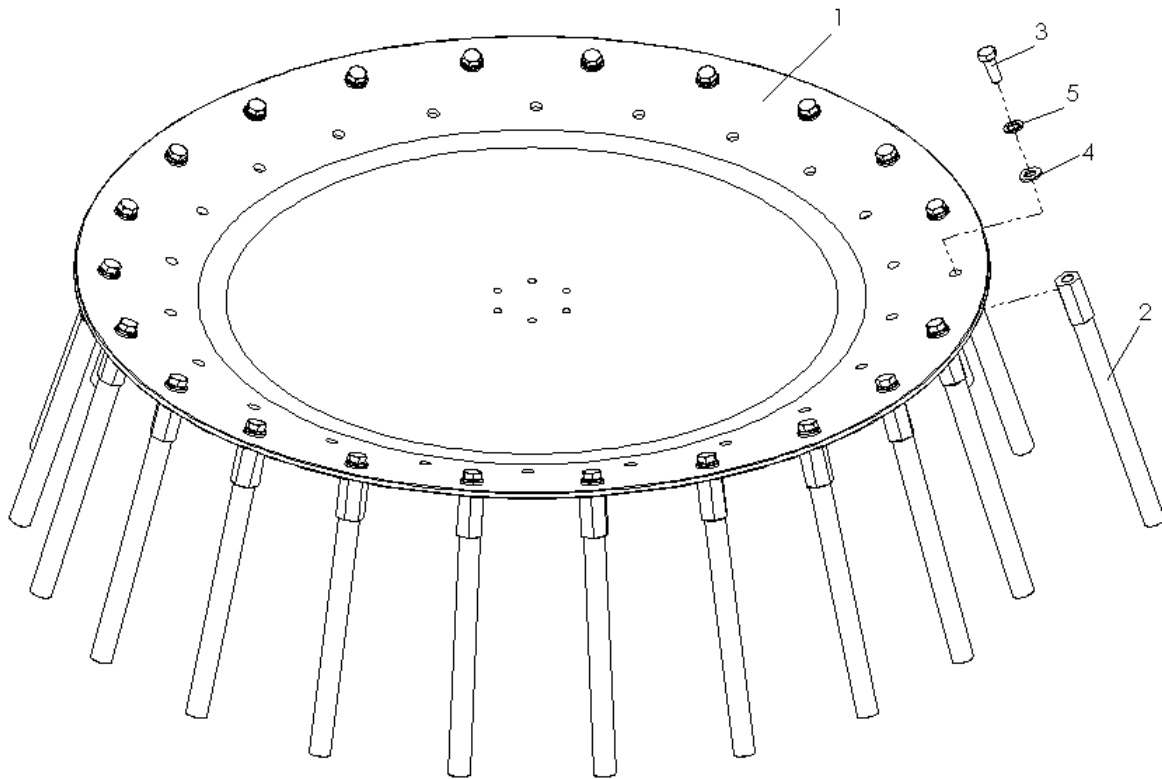
No.	Art.-No.	No.	Designation 1
1	tractor-dependent	1	dome triangle complete
2	C10417	1	mounting adapter
3	750 000 016	2	parking support complete
4	943 140 402	2	protective cap
5	907 400 012	2	pipe linchpin
6	901 810 030	8	Socket head cap screw without shaft
7	905,110,000	8	U-disk
8	900 010 002	8	lock nut
9	901 016 035	2	hexagon screw without shaft
10	901 216 040	2	Countersunk screw with hexagon socket
11	905,116,000	6	U-disk
12	900 016 002	4	lock nut

3.3 Brush plate Ø80cm - BT 080 FL - C02563 R01



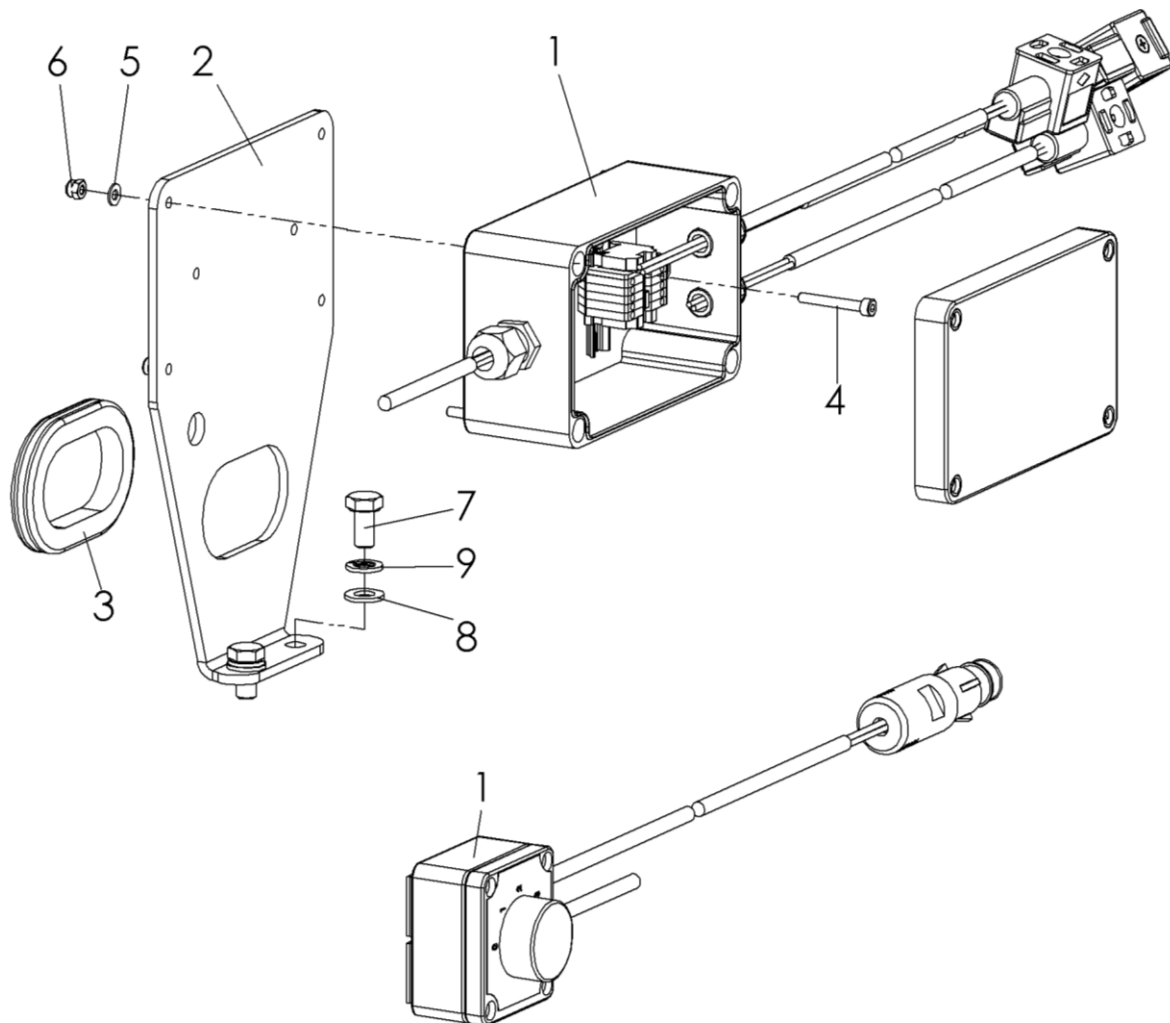
No.	Art.-No.	No.	designation
1	750 000 050 R01	1	brush plate
2	750 000 051	1	reinforcement plate
3	700,000,132	12	brush holder outer part
4	750 000 133	12	brush holder, inner part
5	750 000 135	24	wild herb tufts (mixed)
6	901 008 025	10	hexagon screw without shaft
7	905,108,000	44	U-disk
8	900 008 002	34	lock nut

3.4 Brush plate Ø80cm - BT 080 DS-KU - C06296 R00



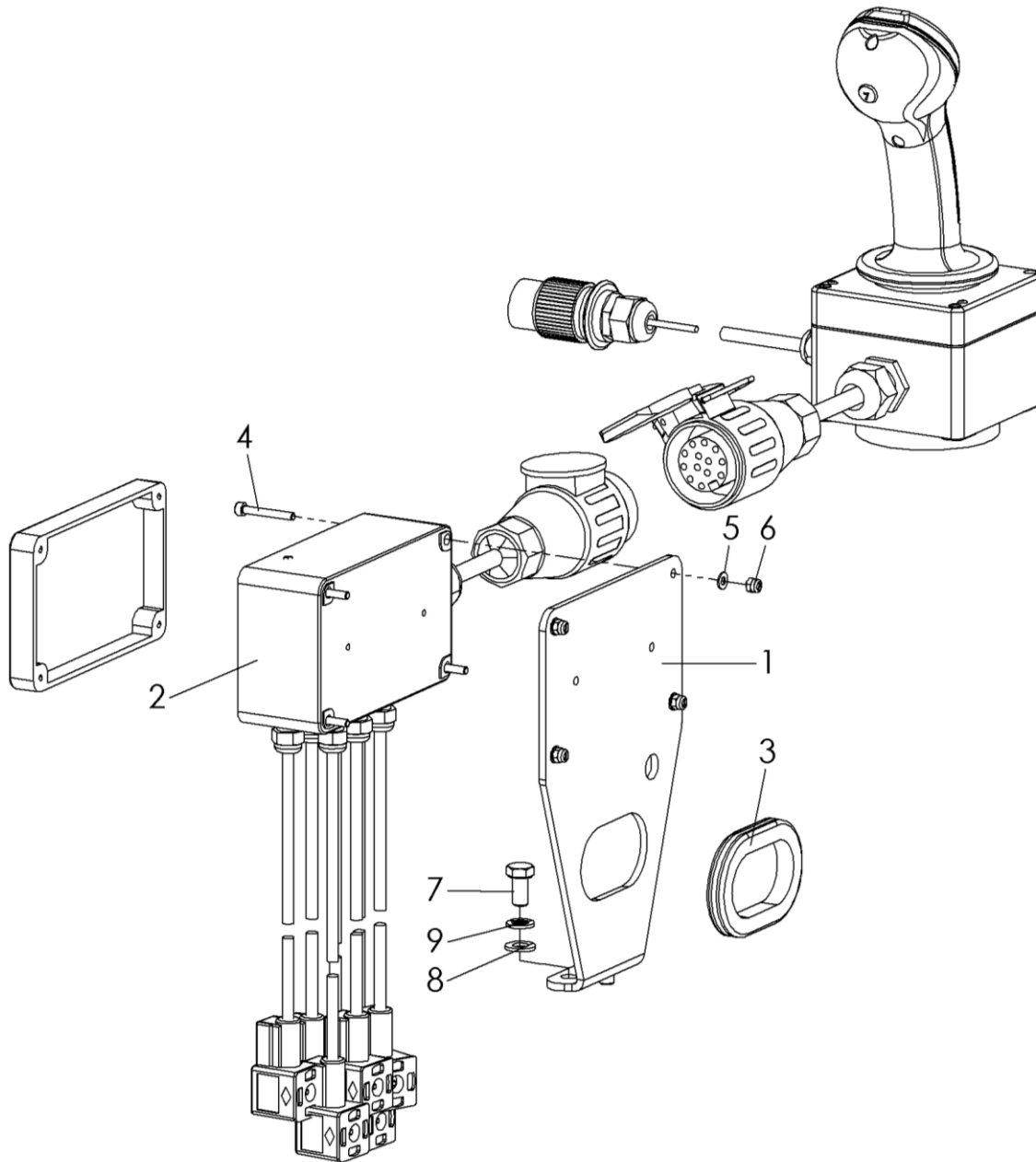
No.	Art.-No.	No.	designation
1	106,780,500	1	weed broom plate
2	106 780 501	22	screw bundles coated
3	901 012 030	22	hexagon screw without shaft
4	905,112,000	22	U-disk
5	905,012,000	22	spring ring

3.5 Control unit ST-UB- C11325 R00



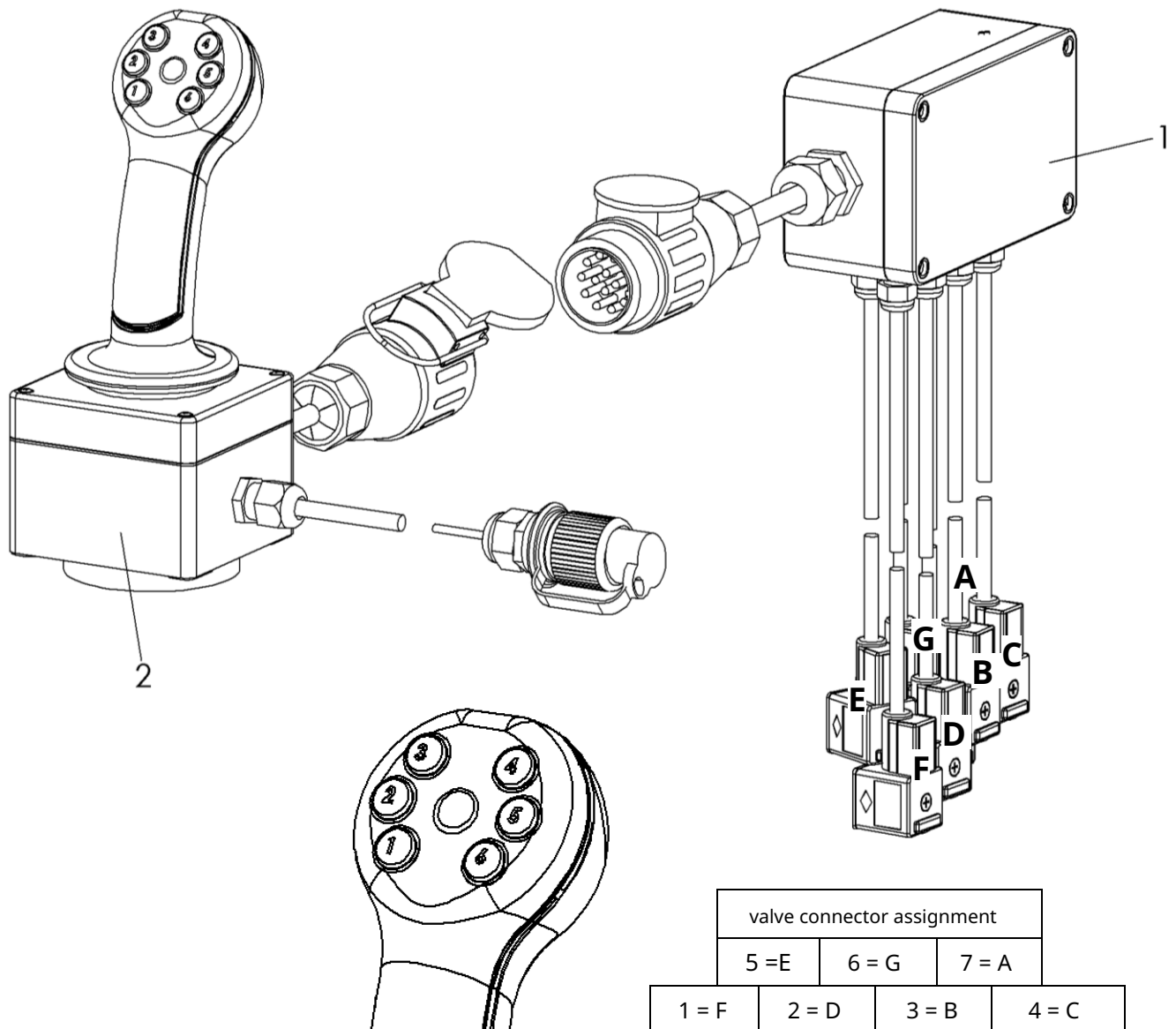
No.	Art.-No.	No.	Designation 1
1	C11123	1	ST-UB complete kit
2	C05677	1	mounting plate junction box
3	908 706 667	1	cable grommet double-sided
4	901 804 030	4	Cylinder head screw with hexagon socket
5	905,104,000	4	U-disk
6	900 004 002	4	lock nut
7	901 008 016	2	hexagon screw without shaft
8	905,108,000	2	U-disk
9	905 008 000	2	spring ring

3.6 Control unit ST-UB-JS with joystick operation - C11901 R00



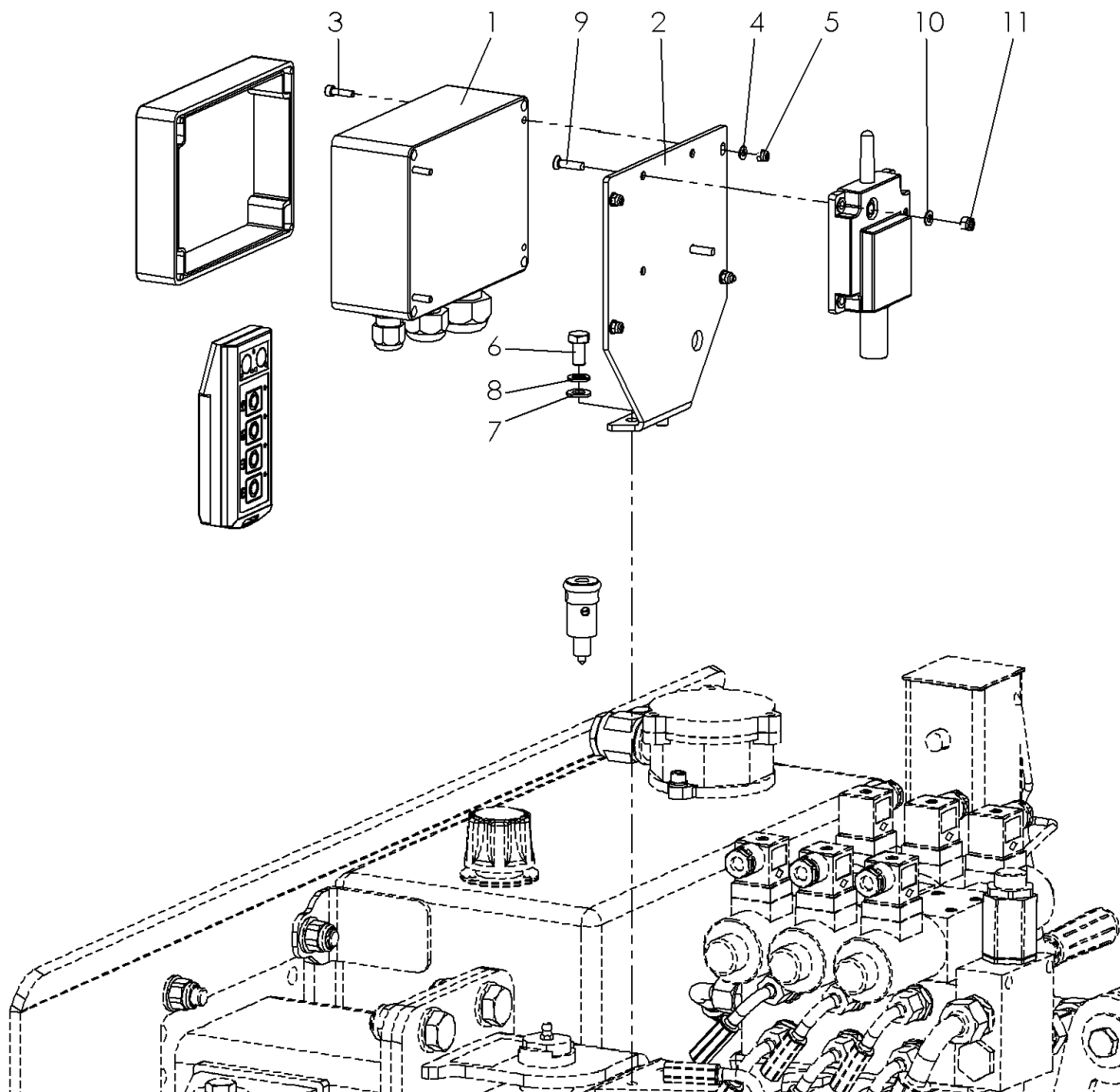
No.	Art.-No.	No.	Designation 1
1	C05677	1	mounting plate junction box
2	C11899	1	Weed brush set complete
3	908 706 667	1	cable grommet double-sided
4	901 804 030	4	Cylinder head screw with hexagon socket
5	905,104,000	4	U-disk
6	900 004 002	4	lock nut
7	901 008 016	2	hexagon screw without shaft
8	905,108,000	2	U-disk
9	905 008 000	2	spring ring

3.7 Weed brush set complete with joystick ST-UB-JS - C11899 R00



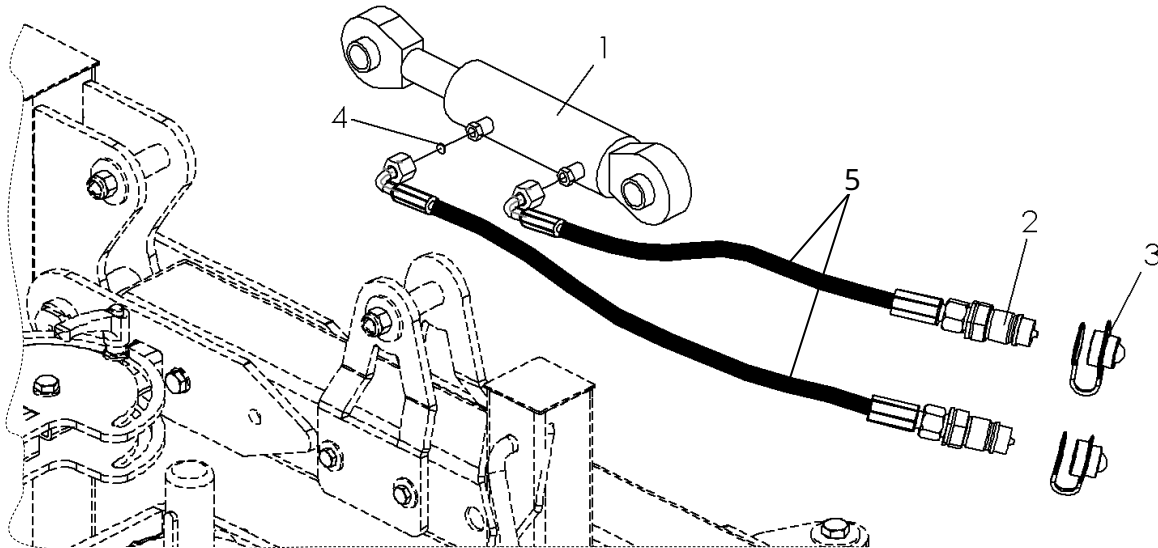
No.	Art.-No.	No.	Designation 1
1	C11900	1	junction box with wiring harness
2	C11893	1	Weed brush set complete with joystick

3.8 Control unit ST-UB-RC with radio remote control – C06775 R00



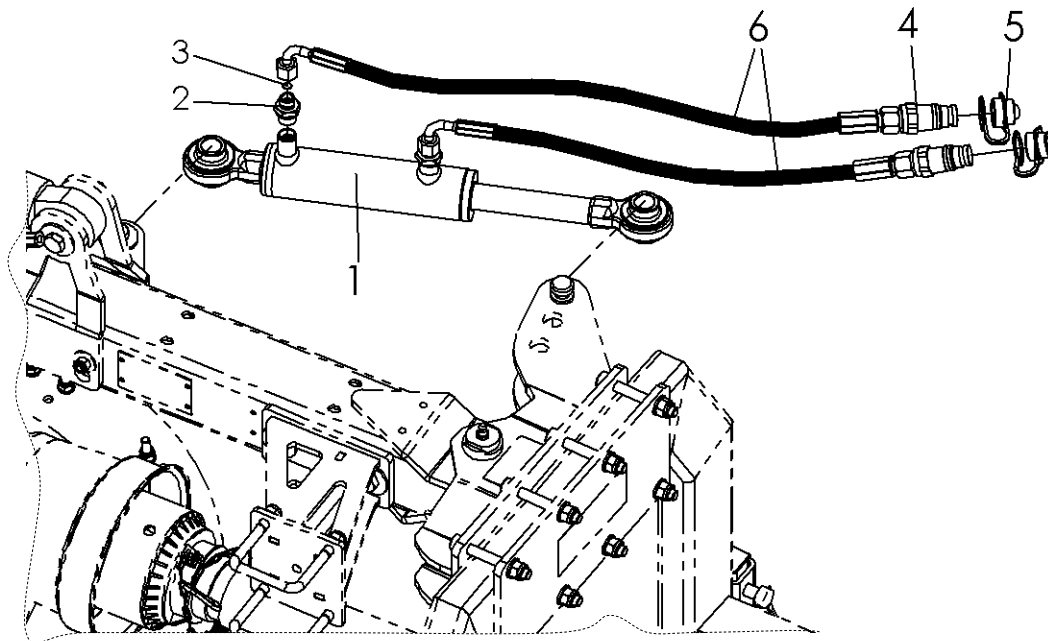
No.	Art.-No.	No.	designation
1	C06776	1	Control unit with radio remote control complete
2	C05679	1	junction box
3	901 804 016	4	Cylinder head screw with hexagon socket
4	905,104,000	4	U-disk
5	900 004 002	4	lock nut
6	901 008 016	2	hexagon screw without shaft
7	905,108,000	2	U-disk
8	905 008 000	2	spring ring
9	901 405 020	2	countersunk screw with Phillips
10	905,105,000	2	U-disk
11	900 005 002	2	lock nut

3.9 Hydraulic swivel device HSZ- 60 UB – C06928 R00



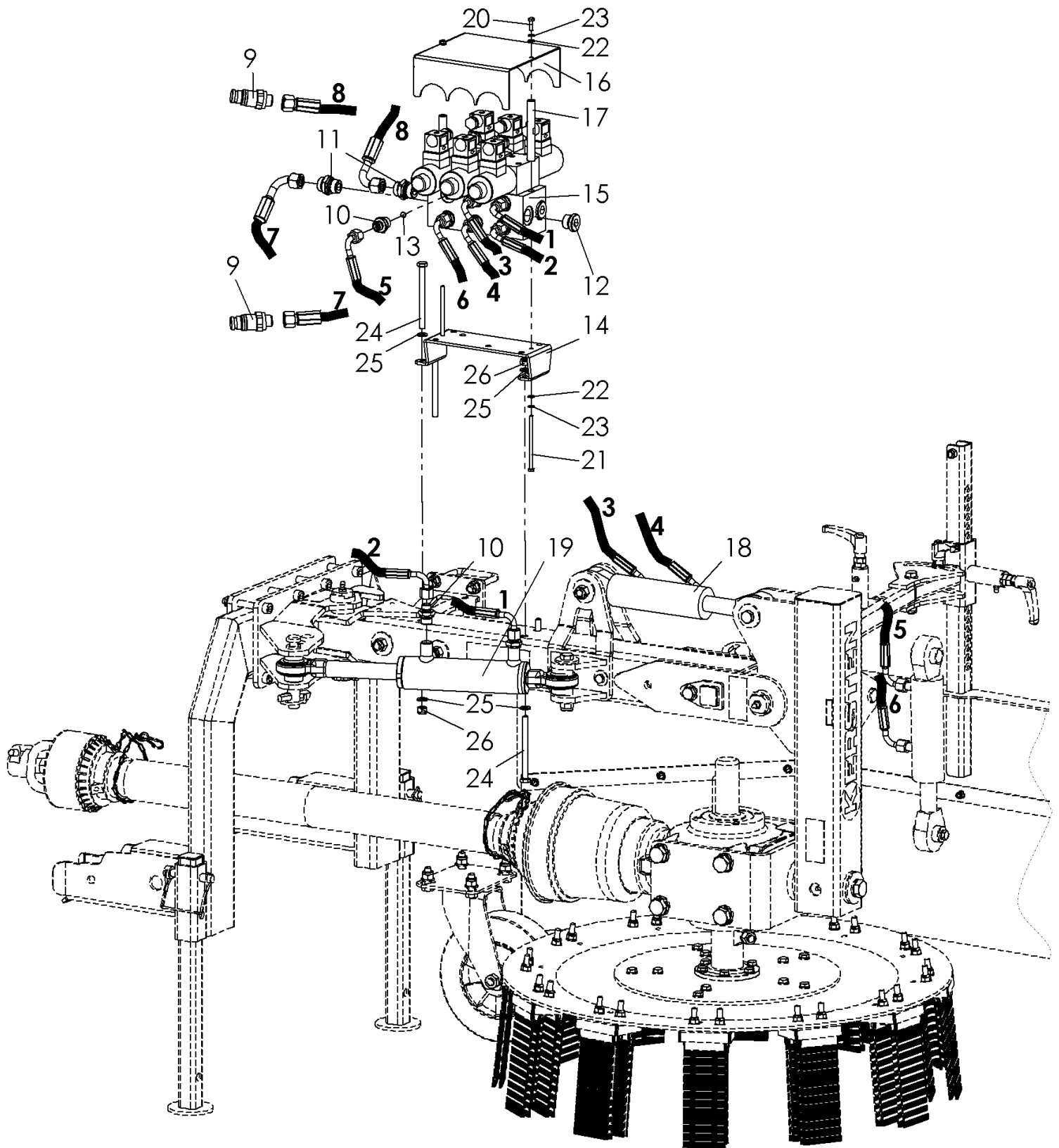
No.	Art.-No.	No.	designation
1	933 102 060	1	hydraulic cylinders
2	932 131 323	2	hydraulic connector
3	932 391 032	2	hydraulic protective cap
4	936 008 010	1	throttle plate
5	930...	2	hydraulic hose depending on the tractor

3.10 Hydraulic swivel device HSZ- 100 UB - C11506 R00



No.	Art.-No.	No.	designation
1	933 100 100	1	hydraulic cylinders
2	931 070 838	2	hydraulic screw connection
3	936 008 010	1	throttle plate
4	932...	2	Hydraulic plug drip-free - tractor dependent
5	932...	2	Hydraulic protective cap - tractor dependent
6	930...	2	Hydraulic hose - tractor-dependent

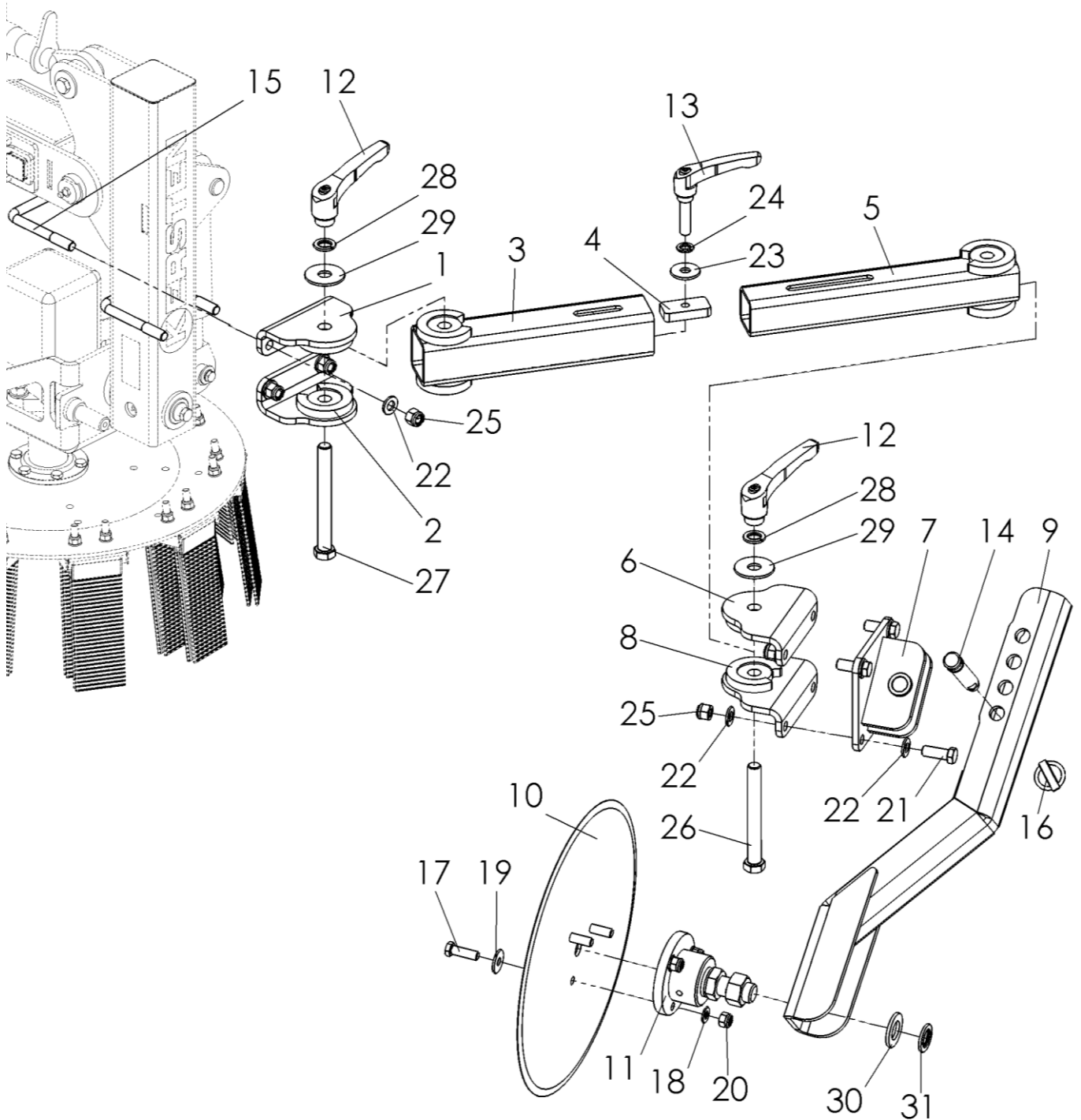
3.11 Hydraulic diagram UB 6080 MK - ABR - C11497 R00



Hydraulic diagram UB 6080 MK-ABR - C11497 R00

No.	Art.-No.	No.	Designation 1
	Hydraulic hose set: 930 680 998		
1	930 750 050	1	hydraulic hose
2	930 750 051	1	hydraulic hose
3	930 750 052	2	hydraulic hose
4			
5	930 750 053	2	hydraulic hose
6			
7	930...	1	hydraulic hose depending on the tractor
8	930...	1	hydraulic hose depending on the tractor
9	932 ...	2	Plug drip-free tractor-dependent
10	931 070 838	8	hydraulic screw connection
11	931 071 512	2	hydraulic screw connection
12	931 130 012	2	blind plug
13	936 008 010	2	throttle plate
14	C05678	1	valve carrier
15	C06761	1	solenoid valve complete
16	C06784	1	cover solenoid valve
17	C06785	2	spacers for cover
18	933 102 060	1	hydraulic cylinders
19	933 100 100	1	hydraulic cylinders
20	901 005 016	2	hexagon screw without shaft
21	901 005 085	2	hexagon screw without shaft
22	905,105,000	4	U-disk
23	905,005,000	4	spring ring
24	901 108 100	4	hexagon screw with shaft
25	905,108,000	8	U-disk
26	900 008 002	4	lock nut

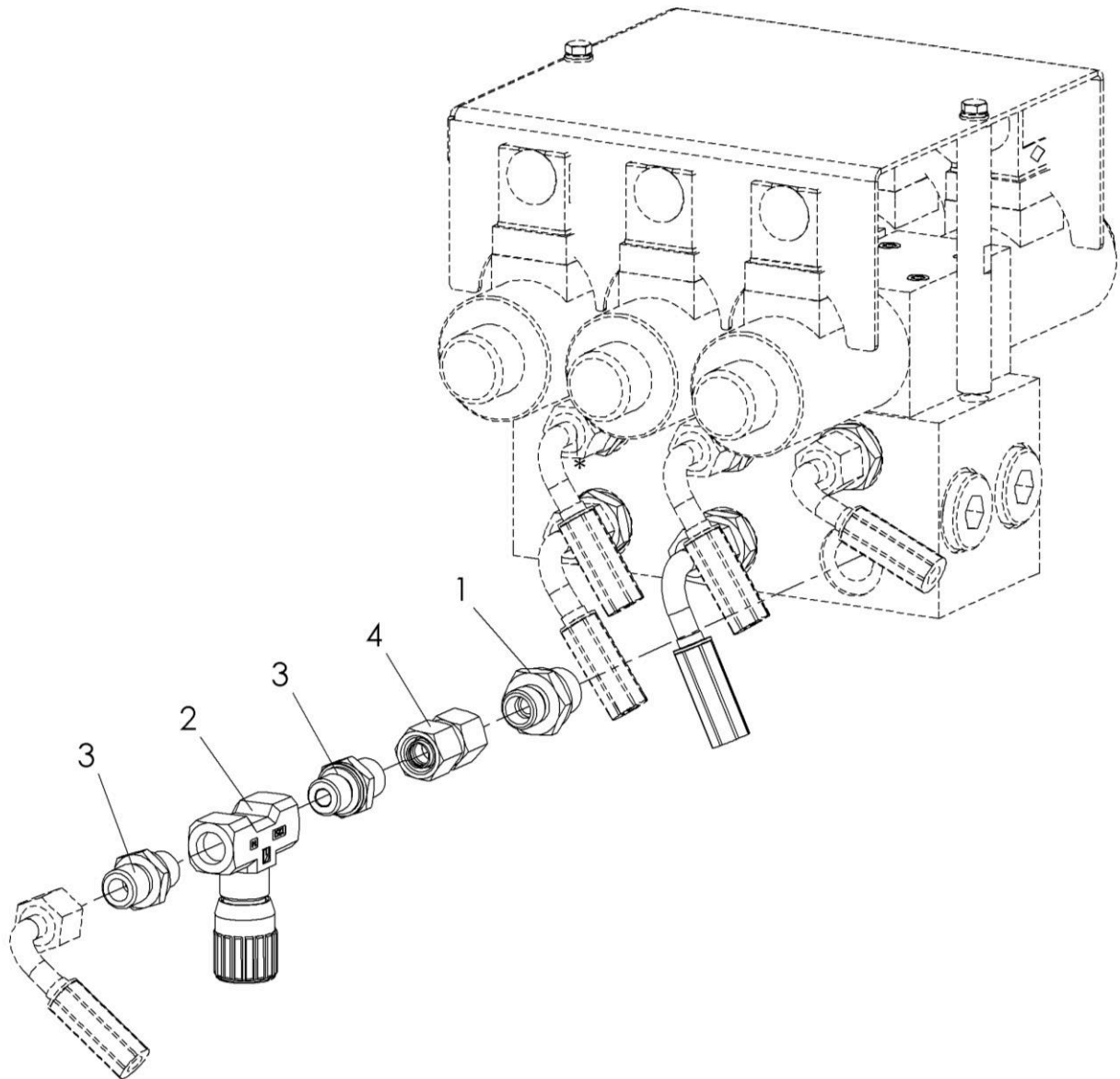
3.12 Edger - C10736 R00



Edger – C10736 R00

No.	Art.-No.	No.	Designation 1
1	C10726	1	swivel mount 1 above
2	C10717	1	swivel mount 1 bottom
3	C10727	1	Telescopic arm large complete
4	C10690	1	clamping jaw
5	C10729	1	telescopic arm small
6	C10735	1	swivel mount 2 above
7	C10731	1	pendulum suspension complete
8	C10732	1	swivel mount 2 below
9	C10714	1	pendulum arm complete
10	950 400 084	1	Kolter Scheibe
11	950 400 085	1	Hub one-sided complete
12	941 200 016	2	clamping lever GR.5
13	941 200 512	1	clamping lever GR4
14	907 400 073	1	socket pin
15	901 512 380	2	U-bolt
16	907,110,000	1	linch pin
17	901 010 035	3	hexagon screw without shaft
18	905,110,000	3	U-disk
19	905,210,000	3	K-disk
20	900 010 002	3	lock nut
21	901 012 035	4	hexagon screw without shaft
22	905,112,000	12	U-disk
23	905 212 001	1	K-disk
24	905,012,000	1	spring ring
25	900 012 002	8	lock nut
26	901 116 140	1	hexagon screw with shaft
27	901 116 150	1	hexagon screw with shaft
28	905,016,000	2	spring ring
29	905,216,000	2	K-disk
30	905,124,000	1	U-disk
31	905,024,000	1	spring ring

3.13 Adjustable throttle - C11758 R00



No.	Art.-No.	No.	Designation 1
1	931 070 838	6	hydraulic screw connection
2	936 614 001	1	throttle valve
3	931 070 814	2	hydraulic screw connection
4	931 208 006	1	hydraulic screw connection straight